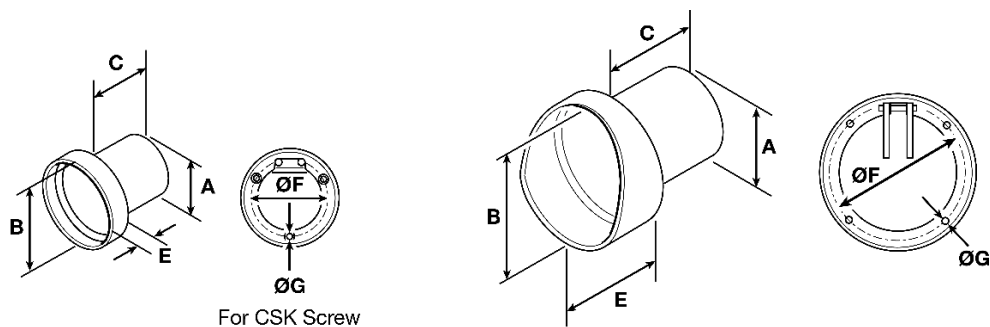


## Halyard Through Hull Exhaust Outlets

*New improved and expanded range now available*

- Options:
  - Standard
  - With flap
  - With flap & cowl
- Sizes: to 12" / 305mm (see below)
- 316L Stainless Steel construction
- Pre-drilled countersunk fixing holes
- Rubber backed flap
- Rubber mounting gasket
- Electro-polished / mirror polish option
- Revised uprated flap and hinge design



Stainless steel through-hull exhaust outlets															
Legacy Part Number	Ref.	A		B	C	E	Fixing	G	No. of Fixing Holes	*Flap Material	Bolting Flange Y/N	Weight	New Part Numbers		
		inch	mm	O.D.									No Flap or Cowl	Flap	Flap & Cowl
H002524	HF004	1 <sup>3</sup> / <sub>4</sub>	45	84	80	26	65	7 / M6	3	NBR	N	0.6	H027537	H027538	H027539
H002525	HF005	2	51	104	80	27	80	7 / M6	3	NBR	N	0.7	H027540	H027541	H027542
H002526	HF006	2 <sup>3</sup> / <sub>8</sub>	60	114	87	29	90	7 / M6	3	NBR	N	1	H027543	H027544	H027545
H002527	HF010	3	76	129	95	32	102	7 / M6	3	NBR	N	1.2	H027546	H027547	H027548
H002528	HF015	1 <sup>1</sup> / <sub>4</sub>	89	141	110	34	118	7 / M6	4	NBR	Y	1.9	H027549	H027550	H027551
H002529	HF020	4	102	154	123	36	130	7 / M6	4	NBR	Y	2.1	H027552	H027553	H027554
N/A	HF023	4 <sup>1</sup> / <sub>2</sub>	114	204	178	84	165	7 / M6	6	SS	Y	4.5	H027555	H027556	H027557
H002531	HF025	5	127	204	178	87	165	7 / M6	6	SS	Y	4.7	H027558	H027559	H027560
H002532	HF030	6	152	254	178	94	190	7 / M6	6	SS	Y	6.1	H027561	H027562	H027563
H002533	HF035	8	203	304	254	107	240	7 / M6	6	SS	Y	9.5	H027564	H027565	H027566
N/A	HF040	10	254	355	254	121	295	7 / M6	8	SS	Y	13	H027567	H027568	H027569
N/A	HF045	12	305	406	254	135	350	7 / M6	8	SS	Y	17	H027570	H027571	H027572

\*NBR = Nitrile Rubber, SS = 316L Stainless Steel

***Please contact Halyard for further information:  
technical@halyard.eu.com***